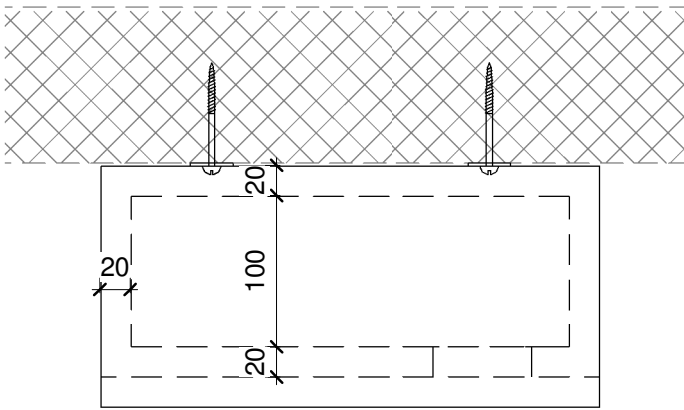
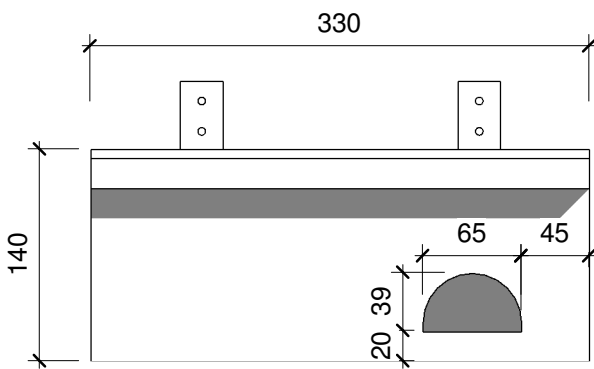


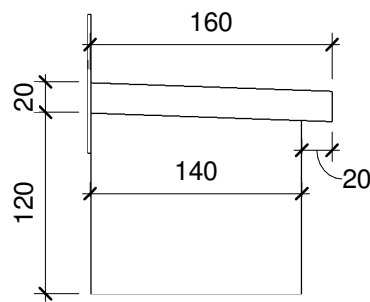
3D View



Plan View



Front Elevation



Side Elevation

Note: Boxes should be installed between 2500mm and 5500mm above ground level.

© 2019 Ecosurv Ltd